

DECK WORKSHEET

Please complete the following:

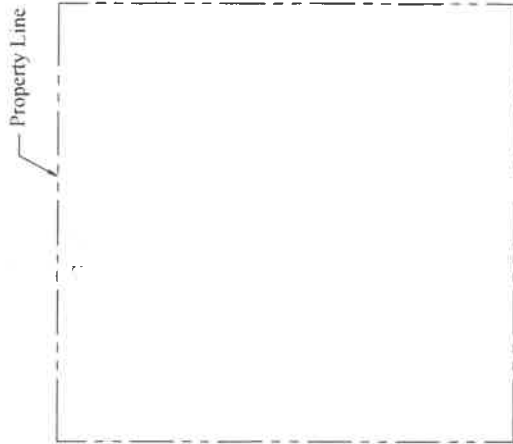
DECK DESIGN:

- (a) Deck Height: _____
 Guardrail required when deck height is > 600mm (24") above finished grade
- (b) Guardrail Height: _____
- (c) Cantilever: _____
 Maximum 600mm (24")
- (d) Maximum 100mm (4") spacing

DECK CONSTRUCTION:

Guardrail Construction (check all that apply)

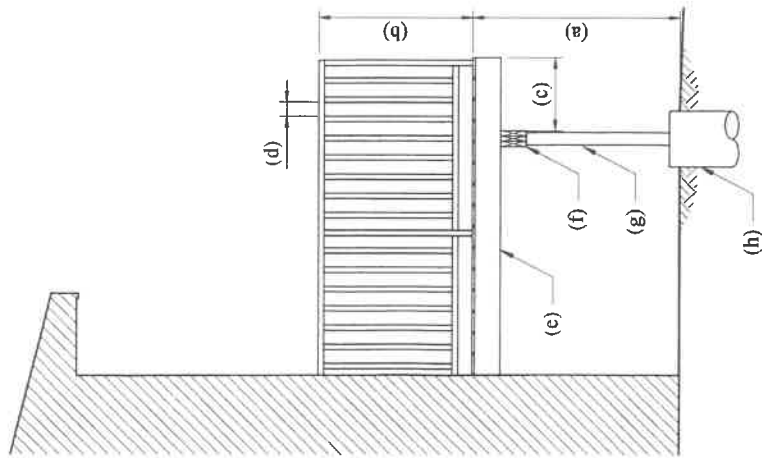
- Glass Vertical Spindles
 Wood Horizontal Spindles
 Metal *permitted when deck is < 4.2m (13.9')*
- (e) Joist Size: 2x _____
 Material: _____
- (f) Beam Size: 2 3 4 - 2x _____
 Material: _____
- (g) Column Size: 4x4 6x6
 Material: _____
 Number of Columns: _____
- (h) Foundation:
 Deck Blocks
 Piles: Diameter _____ x Depth _____
- (i) Stringer Size: 2x _____
 Material: _____
 Number of Stringers: _____



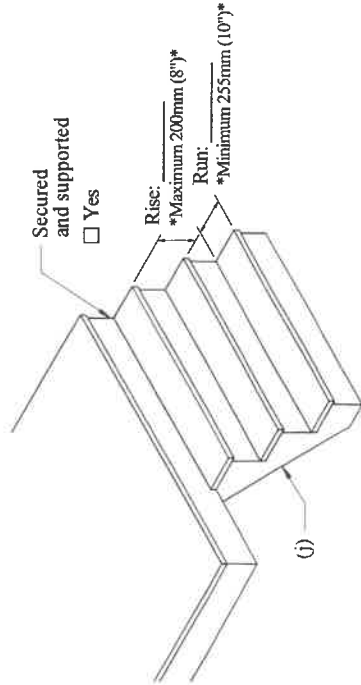
SITE PLAN:

Sketch house footprint and deck location and indicate the following:

- Overall dimensions of deck
 Distance to property lines
 Location of beams
 Location of columns



DECK



NOTE: Handrail required when more than 3 risers.

STAIR

JOIST SPANS	2 PLY BEAMS		3 PLY BEAMS	
	Joist Size	Joist Length	Joist Size	Joist Length
16" o.c.	24" o.c.	2 x 6	2 x 8	2 x 10
2 x 6	9'-0"	8'-0"	8'-5"	9'-10"
2 x 8	11'-2"	10'-0"	7'-6"	9'-2"
2 x 10	13'-5"	12'-9"	5'-8"	6'-10"
			8'-4"	8'-5"
			10'-3"	12'-7"
			9'-2"	11'-3"
			8'-4"	10'-3"

Provided by:



Owner's Name: _____
 Address: _____
 Municipality: _____